

friendlyway impress 26[®]



An Elegant Reception Clerk

With the friendlyway impress 26, you can welcome your visitors in perfect style. This digital sign will charm any guest with an eye for technological elegance.

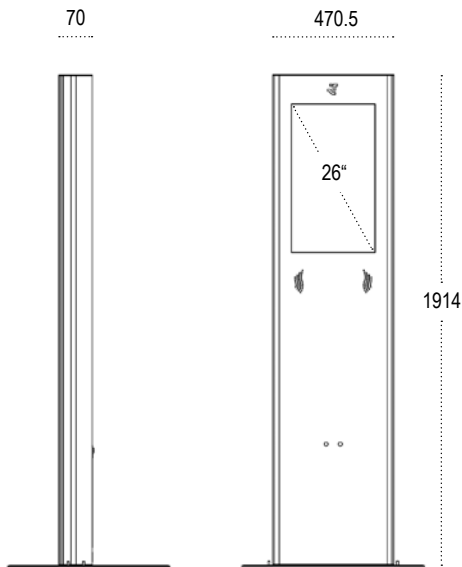
At a depth of 7 cm, the impress 26 is exceptionally slender; its side panels are only 4.7 cm deep. The attractive anodized aluminum surface gives the terminal its trademark “friendlyway” appearance. Because the unit is comparatively light, it is also very easy to relocate.

The upright 26-inch display is bright and attracts attention even over long distances. The display format makes the terminal particularly suitable for split screens. On-screen presentations can be triggered and shut down via a proximity sensor.

Inside the terminal’s shell, there is a powerful PC computer that ensures the flawless presentation of your content.

also available as a rental!





Technical data

friendlyway impress 26

Dimensions

- 26 inch (resolution: 768 * 1360 pixels)
- 470.5 * 1914 * 70 mm (width * height * depth)
- 50 kg

Configuration

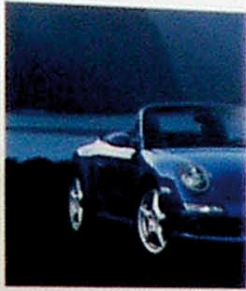
- Powerful, up-to-date multimedia PC computer with "friendlyway electronic stability program"* (every restart resets your system to its default settings; viruses, Trojan horses, or any other unwanted changes to your system configuration are eliminated immediately)
- Elegant designer shell
- Anodized aluminum front panel
- Chrome-plated side panels
- Base mount for added stability
- Brilliant 26-inch display
- Ultrasonic proximity sensor
- "friendlyway composer" kiosk software package (preinstalled)*
- Microsoft Windows XP Professional (preinstalled)*

Options

- Touch screen
- Integrated hi-fi loudspeakers
- Terminal color scheme in any RAL color
- Foil label to personalize the terminal with your corporate identity
- Wireless networking (WLAN)
- Telephone options (analog and VoIP)
- Webcam
- Carefree, all-inclusive service and maintenance on site (3 years)
- Further configuration options on request

* only in conjunction with a multimedia PC

Moving.



The new Carrera Cabriolet is the most powerful sports car in the world. The new Carrera Cabriolet is the most powerful sports car in the world.

Experience the ultimate in sports car driving with the new Carrera Cabriolet models. Each is identical to the classic, providing a sense of freedom and performance and satisfaction. While sharing the same structure and engineering, these cars of course, there is, of course, one key difference: the pleasure when you are in a Porsche.

The new Carrera Cabriolet

Powered at the rear by the new Carrera Cabriolet is a new 3.8-liter Diesel engine.



PORSCHE



At the heart of the Carrera Cabriolet is the new 3.8-liter Diesel engine.

A 10-speed manual gearbox is standard on all Carrera Cabriolet models, which provides a sense of freedom and performance.

Safety

With over 100 safety features, the Carrera Cabriolet is the most advanced sports car in the world.



Porsche Excellence

An important feature of Porsche design is the focus on performance. The new Carrera Cabriolet is the most advanced sports car in the world.

Porsche Excellence

With over 100 safety features, the Carrera Cabriolet is the most advanced sports car in the world.

An important feature of Porsche design is the focus on performance. The new Carrera Cabriolet is the most advanced sports car in the world.